

# DENALI™

LAH.23.10800.B

## AUXILIARY LIGHT MOUNT

HARLEY DAVIDSON

SPORTSTER

SOFTAIL

TOURING

### Thank you for choosing DENALI

We know you would rather be riding your bike than wrenching on it, so we go the extra mile to make sure our instructions are clear and as easy to understand as possible. If you have any questions, comments, or suggestions don't hesitate to give our gear experts a call at 855.255.5550 or visit [DenaliElectronics.com/instructions](http://DenaliElectronics.com/instructions).

### Please Read Before Installing

DENALI products should always be installed by a qualified motorcycle technician. If you are unsure of your ability to properly install a product, please have the product installed by your local motorcycle dealer. DENALI takes no responsibility for damages caused by improper installation. **Caution:** When installing electronics it is extremely important to pay close attention to how wires are routed, especially when mounting products to the front fender, front forks, or fairing of your motorcycle. Always be sure to turn the handlebars fully left, fully right, and fully compress the suspension to ensure the wires will not bind and have enough slack for your motorcycle to operate properly.

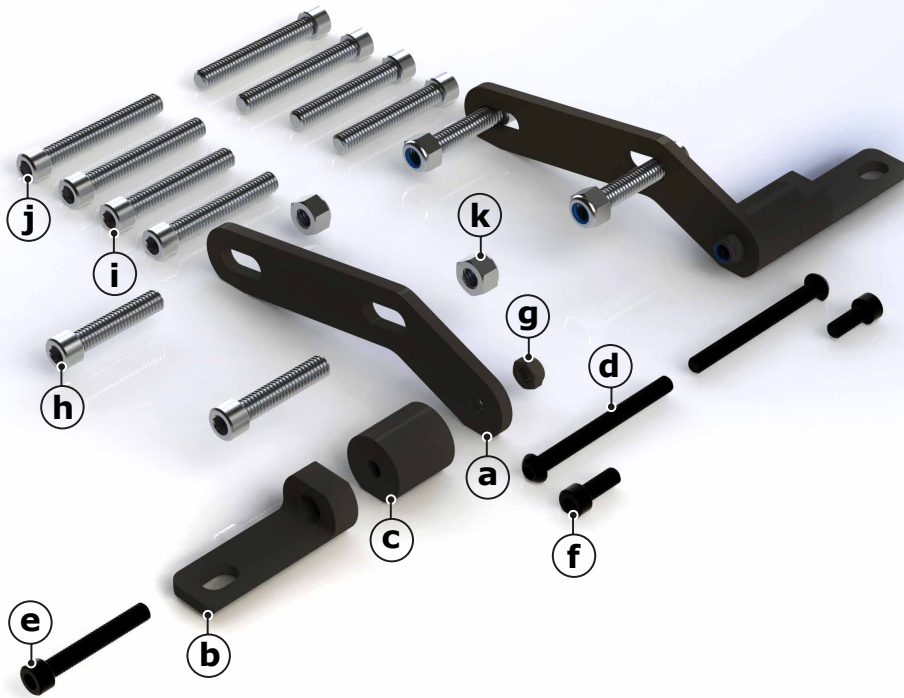
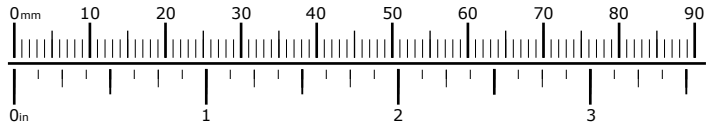
### Installation Tips

We strongly recommend using medium strength liquid thread locker on all screws, nuts, and bolts. It is also important to ensure that all hardware is tightened to the proper torque specifications as listed in your owner's manual. For included accessory hardware please refer to the default torque specifications provided below. Inspect all hardware after the first 30 miles to ensure proper torque specifications are maintained.

Bolt Size	in-lbs	ft-lbs	Nm
M3	10.0 in-lbs	-	1.0 Nm
M4	23.0 in-lbs	-	2.5 Nm
M5	44.5 in-lbs	3.5 ft-lbs	5.0 Nm
M6	78.0 in-lbs	6.5 ft-lbs	9.0 Nm
M8	-	13.5 ft-lbs	18.0 Nm
M10	-	30.0 ft-lbs	41.0 Nm
M12	-	52.0 ft-lbs	71.0 Nm

### Hardware Sizing Guide

Not sure what size bolt you have? Use this metric ruler to measure screws, bolts, spacers, etc. Remember, the length of a screw or bolt is measured from the start of the "mounting surface" to the end of the screw, so only include the screw head when measuring countersunk screws.

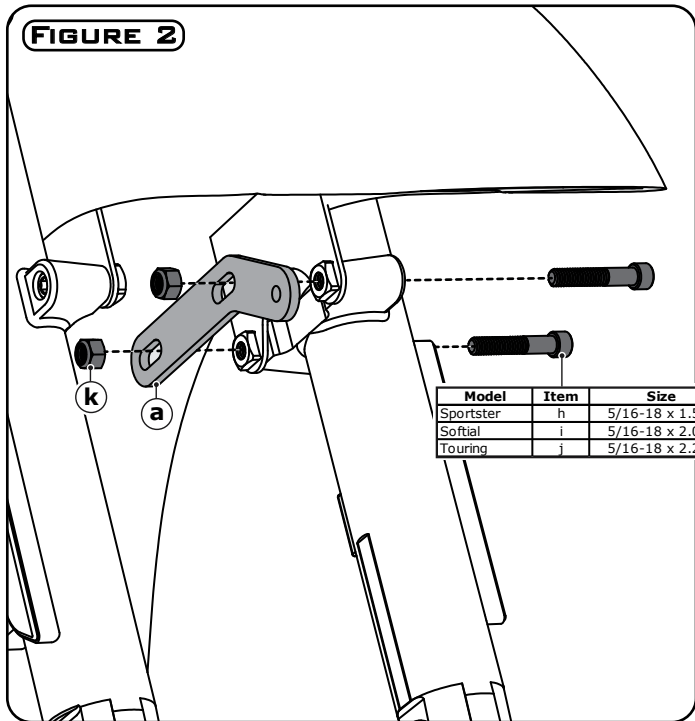


### Kit Contents

- |                                     |                               |
|-------------------------------------|-------------------------------|
| (a) Bracket.....Qty 2               | (g) M6 Nut DIN 985.....Qty 2  |
| (b) Light Shelf.....Qty 2           | (h) 5/16-18 x 1.5".....Qty 4  |
| (c) OD:19mm ID:6mm L:25mm.....Qty 2 | (i) 5/16-18 x 2.0".....Qty 4  |
| (d) M6x65 ISO 7380.....Qty 2        | (j) 5/16-18 x 2.25".....Qty 4 |
| (e) M6x40 DIN 912.....Qty 2         | (k) 5/16-18 Nut.....Qty 4     |
| (f) M6x16 DIN 912.....Qty 2         |                               |

### Tools Required

- 5mm Allen Key
- 1/4" Allen Key
- 10mm Wrench
- 1/2" Wrench



**FIGURE 2**

Model	Item	Size
Sportster	h	5/16-18 x 1.50"
Softail	i	5/16-18 x 2.00"
Touring	j	5/16-18 x 2.25"

## Mounting The Brackets

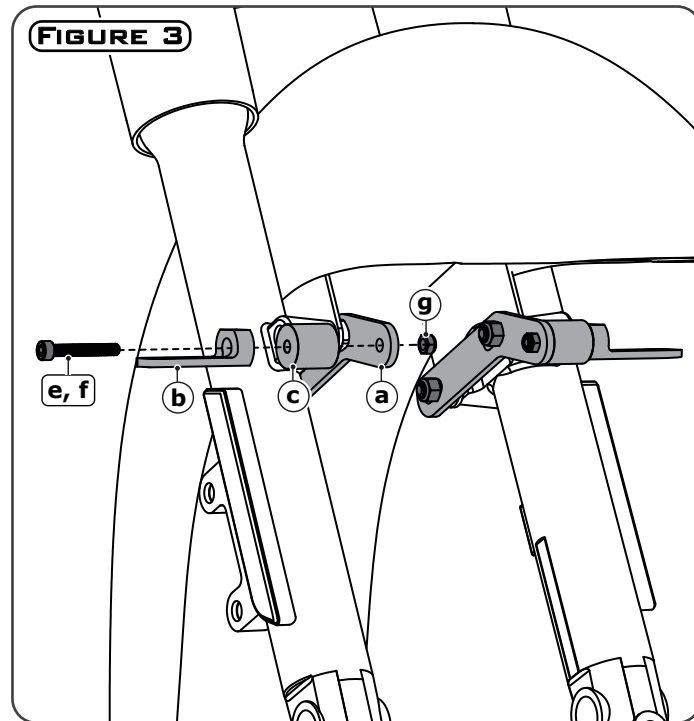
**Step One:** Remove the two OEM bolts and nuts from one side of the fender. On touring models the nuts are welded to the fender.

**Step Two:** Use the chart to determine the correct length bolts. The correct bolts should be a 1/4" longer than the OEM bolts previously removed.

**Step Three:** Use the selected bolts and 5/16-18 nuts (k) to install the bracket (a) to the inside of the fender.

**Note:** On touring models you will need to thread the bolt all the way through the OEM nut welded to the fender, then mount the bracket (a) and nut (k) to the exposed thread protruding past the OEM welded nut.

**Step Four:** Repeat steps on opposite side of motorcycle.



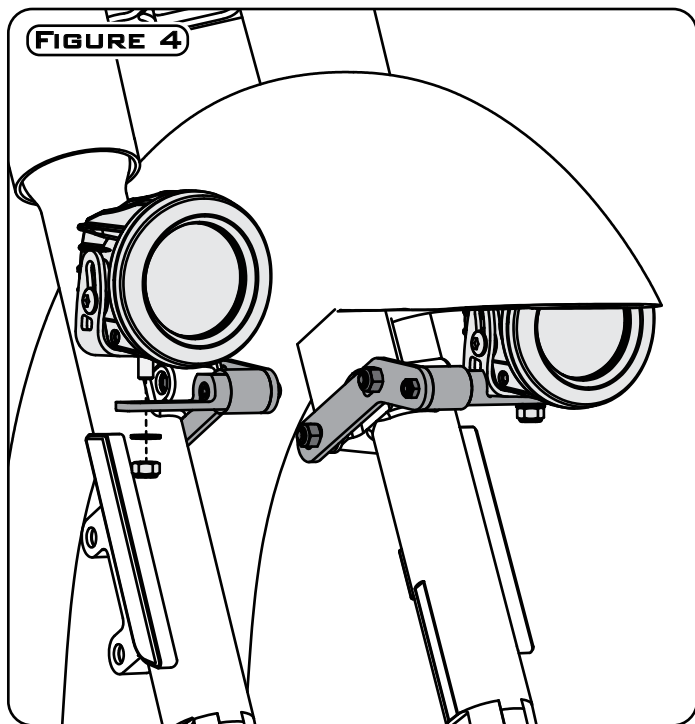
**FIGURE 3**

## Installing The Shelf

**Note:** Spacer (c) is optional and is only necessary to provide extra offset for larger lights. If additional offset is not required skip to Step Five B.

**Step Five A:** If additional offset is required, use the M6x40 screw (e), spacer (c), and M6 nut (g) to bolt the shelf (b) to bracket (a).

**Step Five B:** If additional offset is NOT required use M6x16 screw (f) and M6 nut (g) to bolt the shelf (b) to bracket (a).



**FIGURE 4**

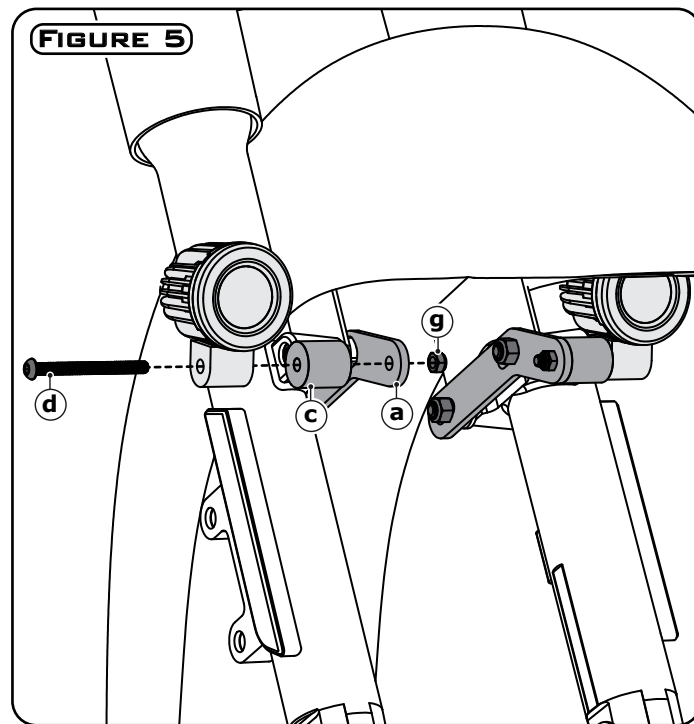
## Mounting The Lights

**Step Six:** Use the hardware supplied with the light pod to mount the light to the shelf.

**Caution:** It's extremely important to pay close attention to where you mount the lights and how you route the wires.

**Step Seven:** Before operating the motorcycle, turn the handlebars fully left, fully right, and fully compress the suspension. Confirm that the lights do not interfere with operation and that the wires have enough slack to account for

all suspension and steering movement.



**FIGURE 5**

## Alternative Mounting Option

In some applications, the most desired mounting location for the light can be achieved by eliminating the light shelf and mounting the light directly to the bracket.

To mount your light directly to the bracket, first remove the hinge from your light. Next, use the M6x65 screw (d), spacer (c) and M6 nut (g) to mount the pod directly to the bracket (a).

Before operating the motorcycle, turn the

handlebars fully left, fully right, and fully compress the suspension. Confirm that the lights do not interfere with operation and that the wires have enough slack to account for all suspension and steering movement.